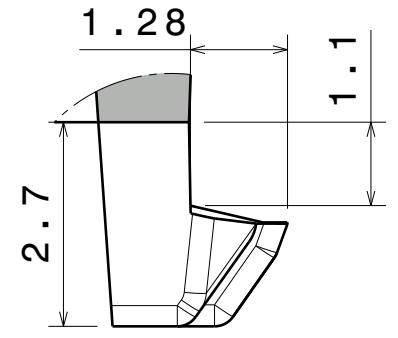
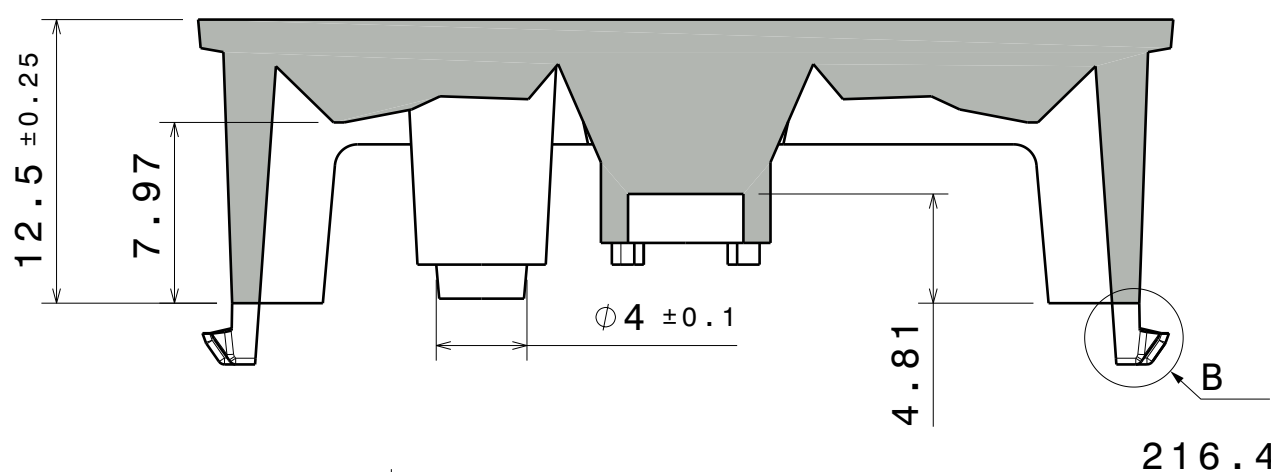
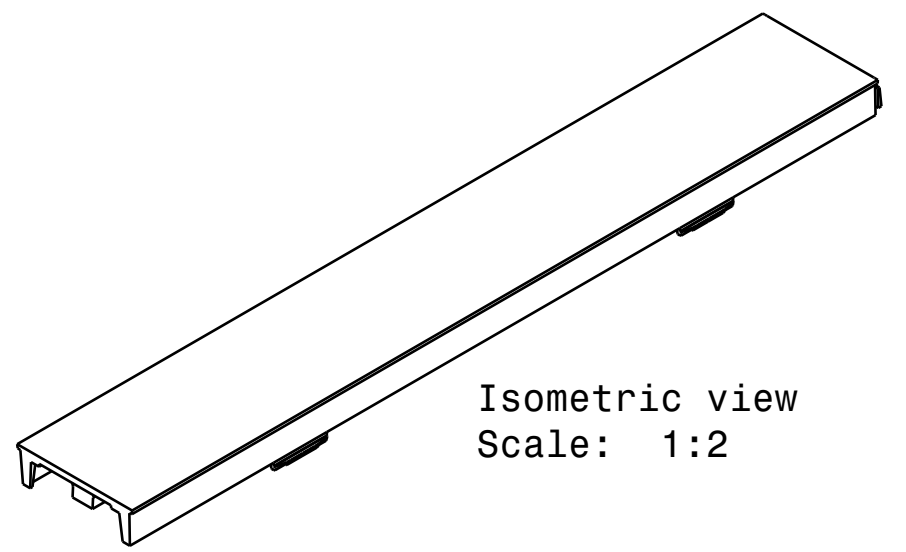


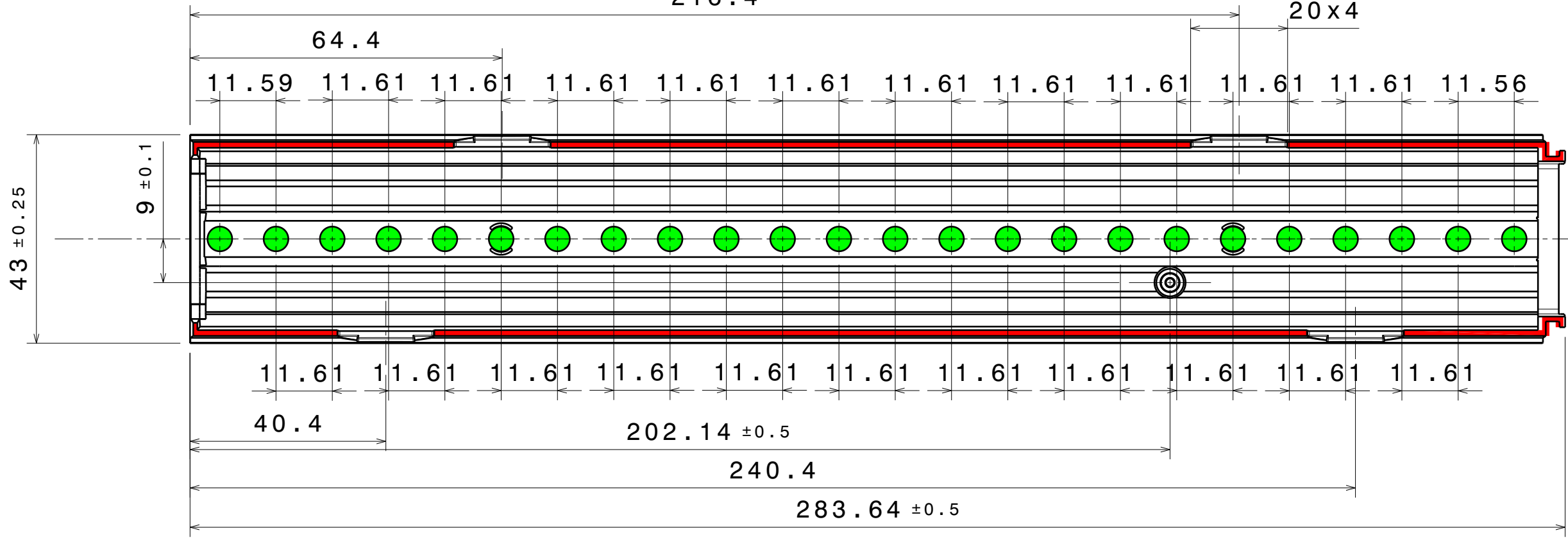
Section view A-A
Scale: 3:1



Detail B
Scale: 10:1



Isometric view
Scale: 1:2



PART	TYPE	MATERIAL	COLOR / COATING
C17166_LINNEA-GC2-60	LENS	PMMA	CLEAR

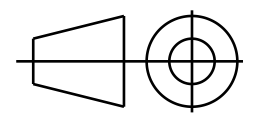
MECHANICAL DRAWING

PRODUCT
LINNEA-G2



Plastic moulding general tolerances according to DIN 16901-130 and applies if not otherwise shown in the drawing.
Silicone moulding general tolerances according to ISO 3302-1 Class M3 and applies if not otherwise shown in the drawing.

FIRST ANGLE PROJECTION:

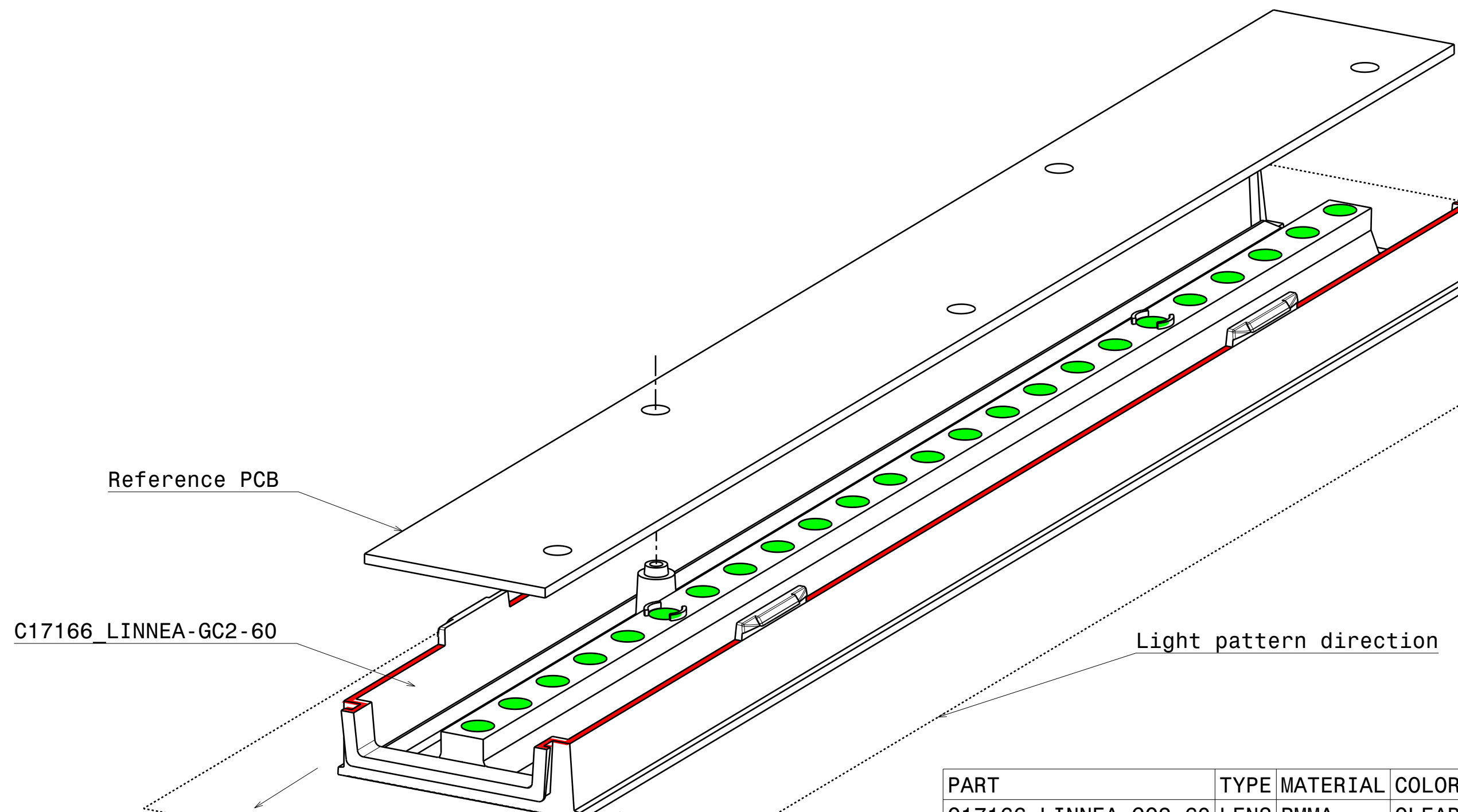


This drawing is the property of LEDiL Oy. It may not be copied or otherwise distributed without prior written permission from LEDiL Oy.

SCALE	1:1	WEIGHT	56,699g	A3	SHEET 1/1
-------	-----	--------	---------	----	-----------

Notes

●	PCB or heatsink level.
●	LED location
	Ensure LED fitting from a product specific 3D model available from www.ledil.com
	For more details about installation please see LEDiL Installation Guide on www.ledil.com



Reference PCB

C17166 LINNEA-GC2-60

Light pattern direction

PART	TYPE	MATERIAL	COLOR / COATING
C17166 LINNEA-GC2-60	LENS	PMMA	CLEAR

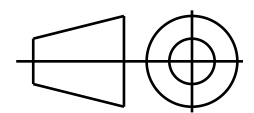
MECHANICAL DRAWING

PRODUCT
LINNEA-G2

LEDiL®

Plastic moulding general tolerances according to DIN 16901-130 and applies if not otherwise shown in the drawing. Silicone moulding general tolerances according to ISO 3302-1 Class M3 and applies if not otherwise shown in the drawing.

FIRST ANGLE PROJECTION:



This drawing is the property of LEDiL Oy. It may not be copied or otherwise distributed without prior written permission from LEDiL Oy.

SCALE	1:1	WEIGHT	56,699g	A3	SHEET 1/1
-------	-----	--------	---------	----	-----------

Notes

●	PCB or heatsink level.
●	LED location
	Ensure LED fitting from a product specific 3D model available from www.ledil.com
	For more details about installation please see LEDiL Installation Guide on www.ledil.com